

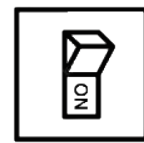
Classic GU10 LED Bulb

-Wall Switch 3-step Dimming



GU10 5.5W-40W Wall Switch 3-Step Dimming

GU10 3-step dimming work with any normal toggle wall switch
dimming range 100%-50%-10%, customized dimming range



RA90 LM80



Article Code TGU10CLA-5.5W-3SLD

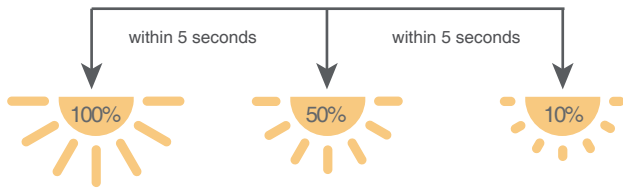
GENERAL CHARACTERISTICS

Shape	MR16
Cap - Base	GU10
Rated Wattage	5.5 W
Input Voltage	220-240 Vac
Operating Frequency	50/60 Hz
Lifetime (hours)	25,000 hrs
Switching Cycles	30,000
Start Time from 0% to 100%	< 0.5 s
Power Factor	0.9
Working Temperature	-20°C ~ 40°C
Guarantee	2 years
Dimension	W:50mm x H:53mm

LIGHT CHARACTERISTICS

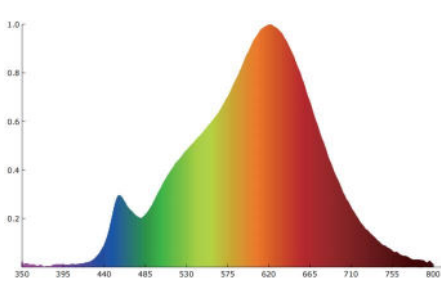
Color	Warm White / cool white
Luminous Flux	50 lm / 250 lm / 480lm
Color Temperature	2700K / 3300K / 4000K
Color Rendering Index	>90
Lamp Efficacy	up to 87 lm/W
Lumen Maintenance Factor	70 %
Beam Angle	38D / 60D
Dimming Type	Wall Switch Dimming
Color Consistency	3 Step MacAdam Ellipse
Wattage Equivalent to Halogen	40 W

HOW DOES THE STEP DIMMING WORK?

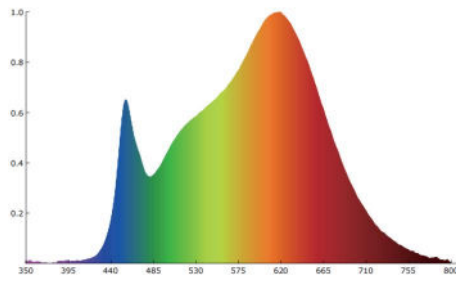


When the light is turned on, the default light level is set at 100%.
 To dim down to the mid level (50%), flick the switch off and on.
 To dim down to the lowest level (10%), flick the switch off and on again.
 Switch from the default level to the desired level within 5 seconds.
 The fitting will automatically adjust to the default level outside of the switching window.

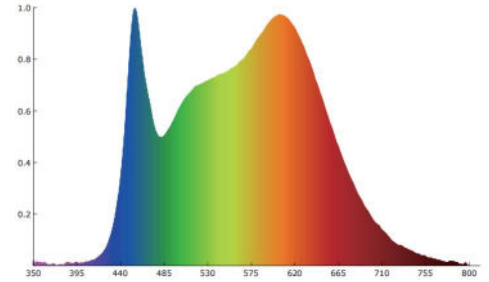
PHOTOMETRIC DATA



2700K



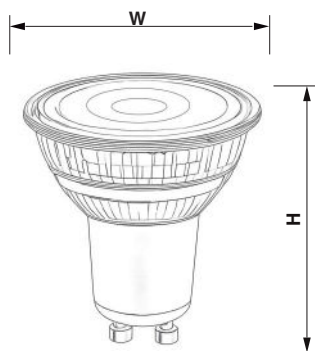
3000K



4000K

Chroma Parameters

Dimensional drawing



TGU10-3.5W-AD

Product	W	H
TGU10CLA-5.5W-3SLD	50 mm	53 mm