

ASSEMBLY AND INSTALLATION INSTRUCTIONS

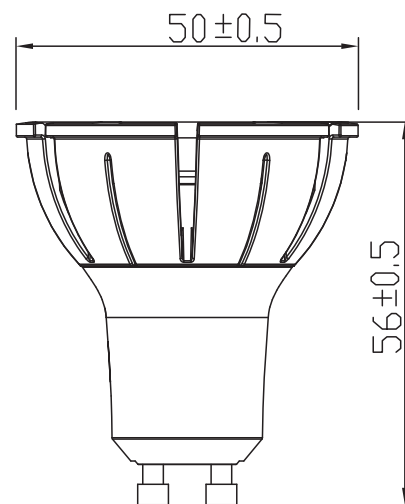
WARNING: TO AVOID RISK OF ELECTRICAL SHOCK, BE SURE TO SHUT OFF POWER BEFORE INSTALLING OR SERVICING THIS LAMP.

NOTES: 1. Before installing, consult local electrical codes for wiring and grounding requirements.
2. READ AND SAVE THESE INSTRUCTIONS.

PRODUCT SPECIFICATION

A 100% flicker-free LED bulb, compatible with leading-edge and trailing-edge dimmers, close to the spectrum of sunlight, CRI>98, truly restore true colors.
Low energy consumption, long life and simple replacement.

Item name	PREMIUM GU10 7.5W DIMMABLE
Power	7.5W
Use Lumen	550 Lm
CCT	2700K/3000K/4000K/5000K
LED Life	40,000 h
Net Weight	0,080 Kg
Volume	0,0002 m ³
Base / Hole	GU10



BOX CONTENTS -

1 PCS 7.5W GU10



ASSEMBLY AND INSTALLATION INSTRUCTIONS

INSTALLATION

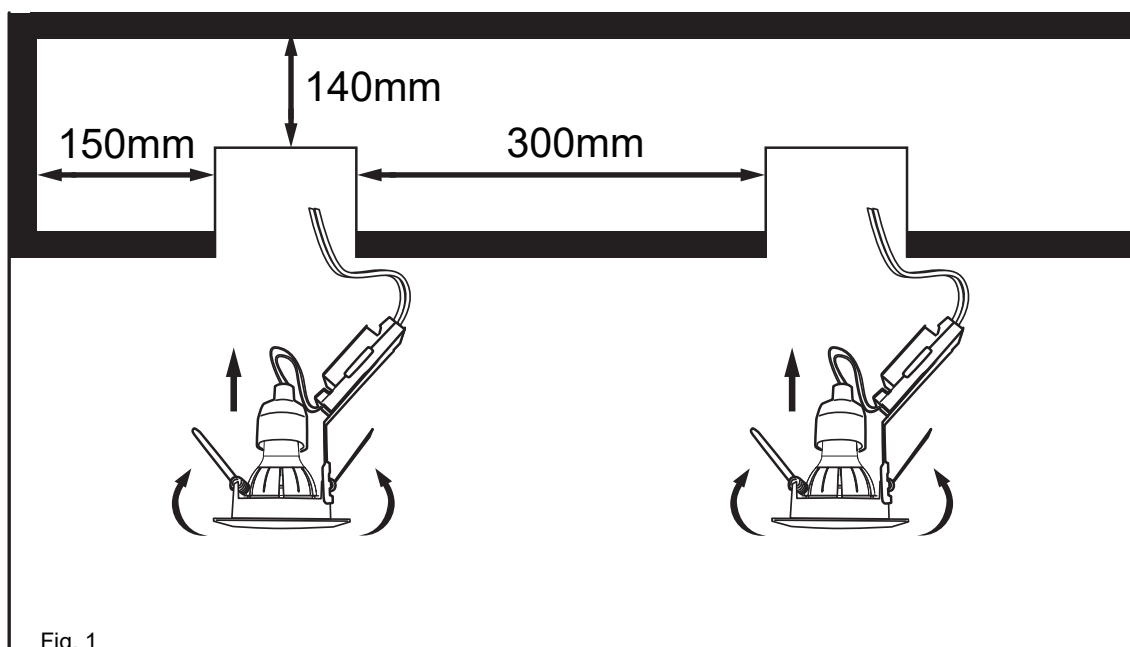


Fig. 1

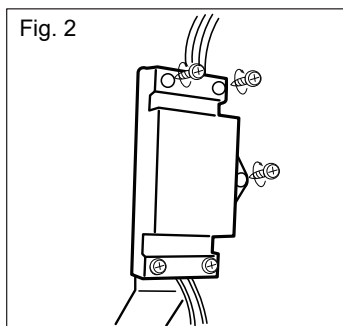


Fig. 2

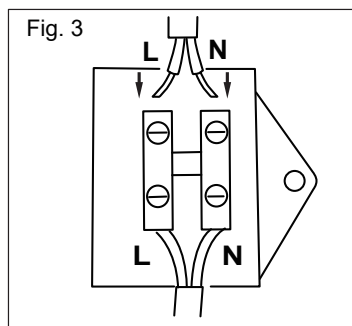


Fig. 3

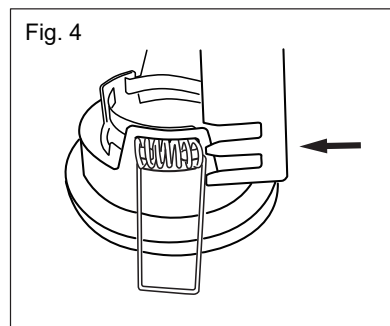


Fig. 4

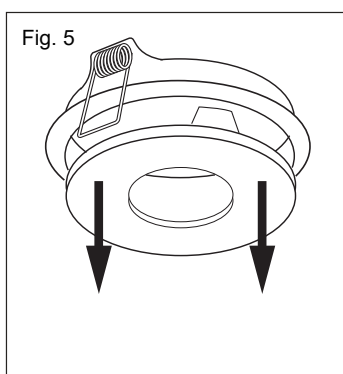


Fig. 5

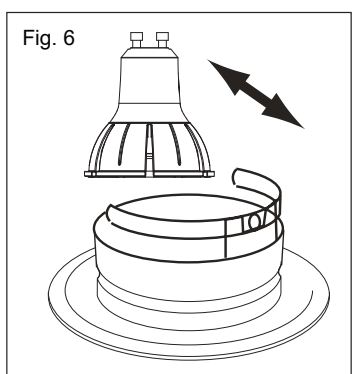


Fig. 6