

Premium GU10 LED BULB

This GU10 LED spotlight supports both dimming and CCT adjustment, offering flexible lighting from warm to cool tones. With a high CRI of Ra90, it delivers vivid, true-to-life colors. Designed for 220V AC input, it's ideal for residential and commercial settings that require customizable and efficient lighting.



GU10 Pro Dim To Warm

TECO
inspired by technology




1800K-2700K / 2200K-3000K
Dim to Warm

TECO
inspired by technology

GU10 LED Bulb

Dim To Warm



GU10 7.5W-70W Dim To Warm

Dimmable GU10 LED spotlight with 220V input, tunable warm white (1800K–3000K), and high CRI Ra90 for cozy, color-accurate lighting.



RA90 LM80



Article Code TGU10PRO-7.5W-XDTW

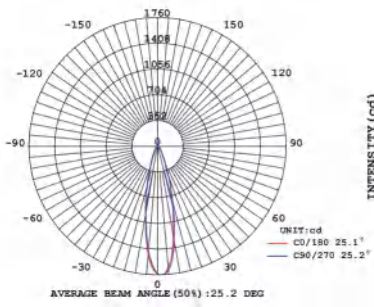
GENERAL CHARACTERISTICS

Shape	MR16
Cap - Base	GU10
Rated Wattage	7.5 W
Input Voltage	220-240 Vac
Operating Frequency	50/60 Hz
Lifetime (hours)	40,000 hrs
Switching Cycles	30,000
Start Time from 0% to 100%	< 0.5 s
Power Factor	0.9
Working Temperature	-20°C ~ 40°C
Guarantee	3 years
Dimension	W:50mm x H:57mm

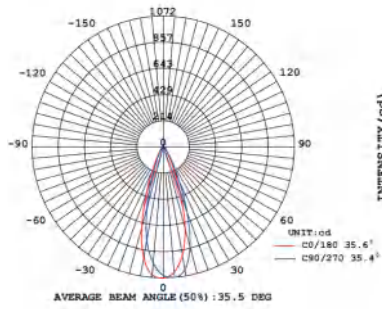
LIGHT CHARACTERISTICS

Color	Warm White / cool white
Luminous Flux	550lm / 630lm
Color Temperature	1800-3000K / 2200-3000K
Color Rendering Index	Ra90
Lamp Efficacy	up to 90 lm/W
Lumen Maintenance Factor	70 %
Beam Angle	24D / 36D / 60D
Dimming Type	Dim To Warm
Color Consistency	3 Step MacAdam Ellipse
Wattage Equivalent to Halogen	70 W

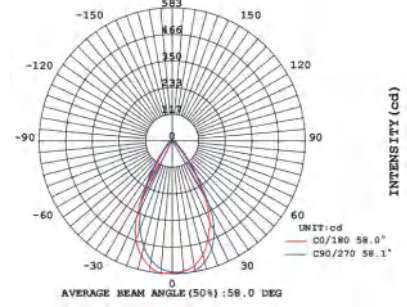
AVERAGE BEAM ANGLE



24D

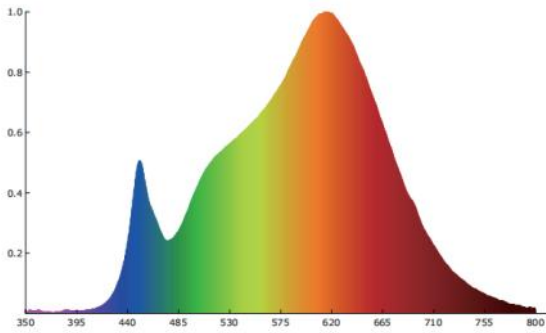


36D

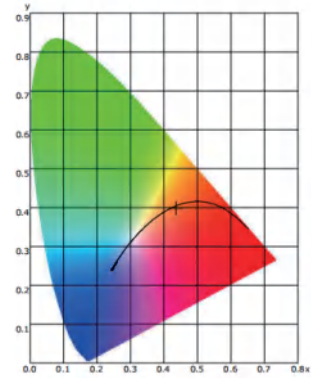


60D

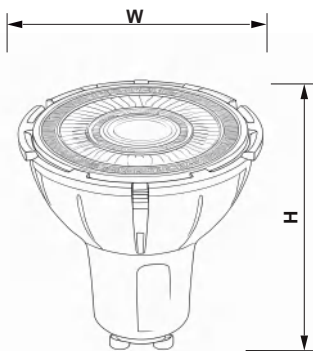
PHOTOMETRIC DATA



Chroma Parameters



Dimensional drawing



TGU10PRO-7.5W-XDTW

Product	W	H
TGU10PRO-7.5W-XDTW	50 mm	57 mm