

GU10 LED Bulb

The die-cast aluminum GU10 with color temperatures of 1000K and 2600K offers a warm, comfortable light that reduces blue light exposure, promoting better sleep quality. Ideal for creating a relaxing atmosphere, these lights provide a soothing glow that helps unwind and prepare for rest.



Premium GU10 LED Bulb

-Dimmable



GU10 7W-50W Dimmable

The GU10 with 1000K and 2600K color temperatures reduces blue light, helping to create a sleep-friendly environment



RA50 LM80



Article Code TGU10PRO-7W-XDHC

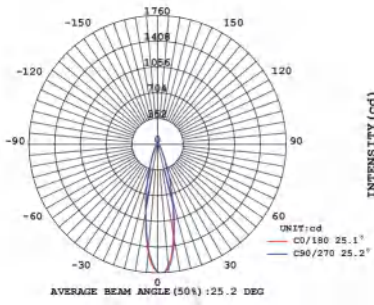
GENERAL CHARACTERISTICS

Shape	MR16
Cap - Base	GU10
Rated Wattage	7 W
Input Voltage	220-240 Vac
Operating Frequency	50/60 Hz
Lifetime (hours)	40,000 hrs
Switching Cycles	50,000
Start Time from 0% to 100%	< 0.5 s
Power Factor	0.9
Working Temperature	-20°C ~ 40°C
Guarantee	3 years
Dimension	W:50mm x H:57mm

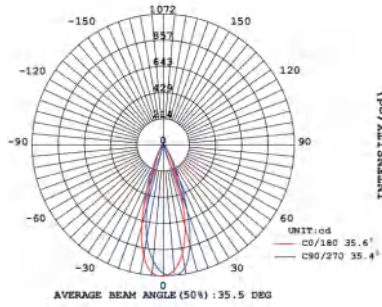
LIGHT CHARACTERISTICS

Color	Warm White / cool white
Luminous Flux	80lm / 750lm
Color Temperature	1000K / 2600K
Color Rendering Index	>90
Lamp Efficacy	up to 107 lm/W
Lumen Maintenance Factor	70 %
Beam Angle	24D / 36D / 60D
Dimming Type	Phase Cut Dimming
Color Consistency	NA
Wattage Equivalent to Halogen	50 W

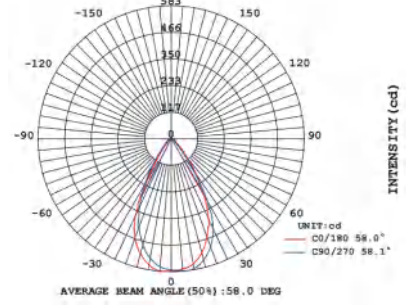
AVERAGE BEAM ANGLE



24D

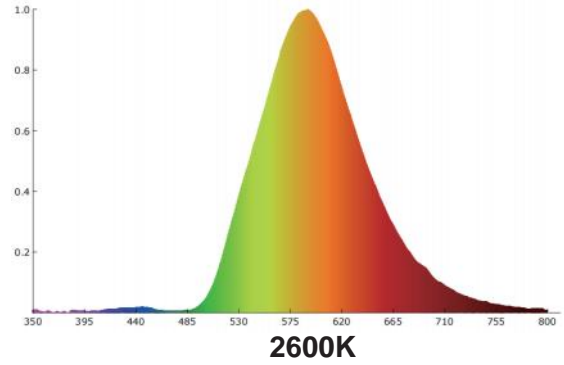
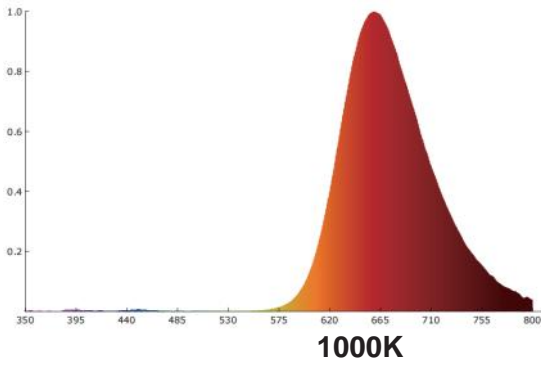


36D



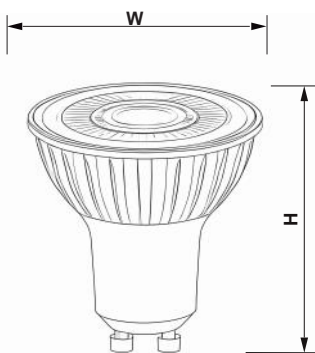
60D

PHOTOMETRIC DATA



Chroma Parameters

Dimensional drawing



Product	W	H
TGU10PRO-7W-XDHC	50 mm	57 mm